

DFH2060 Series

Duplex Filters

Max. 2200 l/min. 10 bar



Maximum performance – minimum height

Slim welded housing construction with cast iron change over valve section. Horizontal mounting makes assembly easier in cranked positions. High dirt holding capacity and low pressure drop. Several media options. One reservoir can be closed for service.



Contact Information:

Parker Hannifin
Hydraulic Filter Division Europe

European Product
Information Centre
Freephone: 00800 27 27 5374
(from AT, BE, CH, CZ, DE, EE, ES,
FI, FR, IE, IT, PT, SE, SK, UK)
filtrationinfo@parker.com

www.parker.com/hfde

Applications:

- Heavy duty diesel engine lubricating systems
- High flow industrial lubricating systems

Specification

Duplex filter:

One reservoir can be closed for service, horizontal installation. 1300 mm (1.3 m) free space must be reserved in front of the filter for filter element removal. Filter includes 3 elements/side.

Connections:

Square flanges with port size $\text{Ø}160$ mm. Standard delivery includes blind counter flanges.

Maximum operating pressure:

10 bar

Seal material:

Fluoroelastomer

Operating temperature:

-20°C...+100°C with elements with Nitrile seals,
-20°C...+160°C with metal mesh elements and Fluoroelastomer seals.

Housing material:

Steel/cast iron (GJS)

Weight:

390 kg

Nominal flow rate (30 cSt):

2200 l/min (132 m³/h)

Bypass valve:

For the primary filter only, opening pressure 2.0 bar

Indicator options:

Visual, electrical or electronic indicator requires an indicator block. For details see indicator options table in product description page and catalogue section 4.

Primary filter:

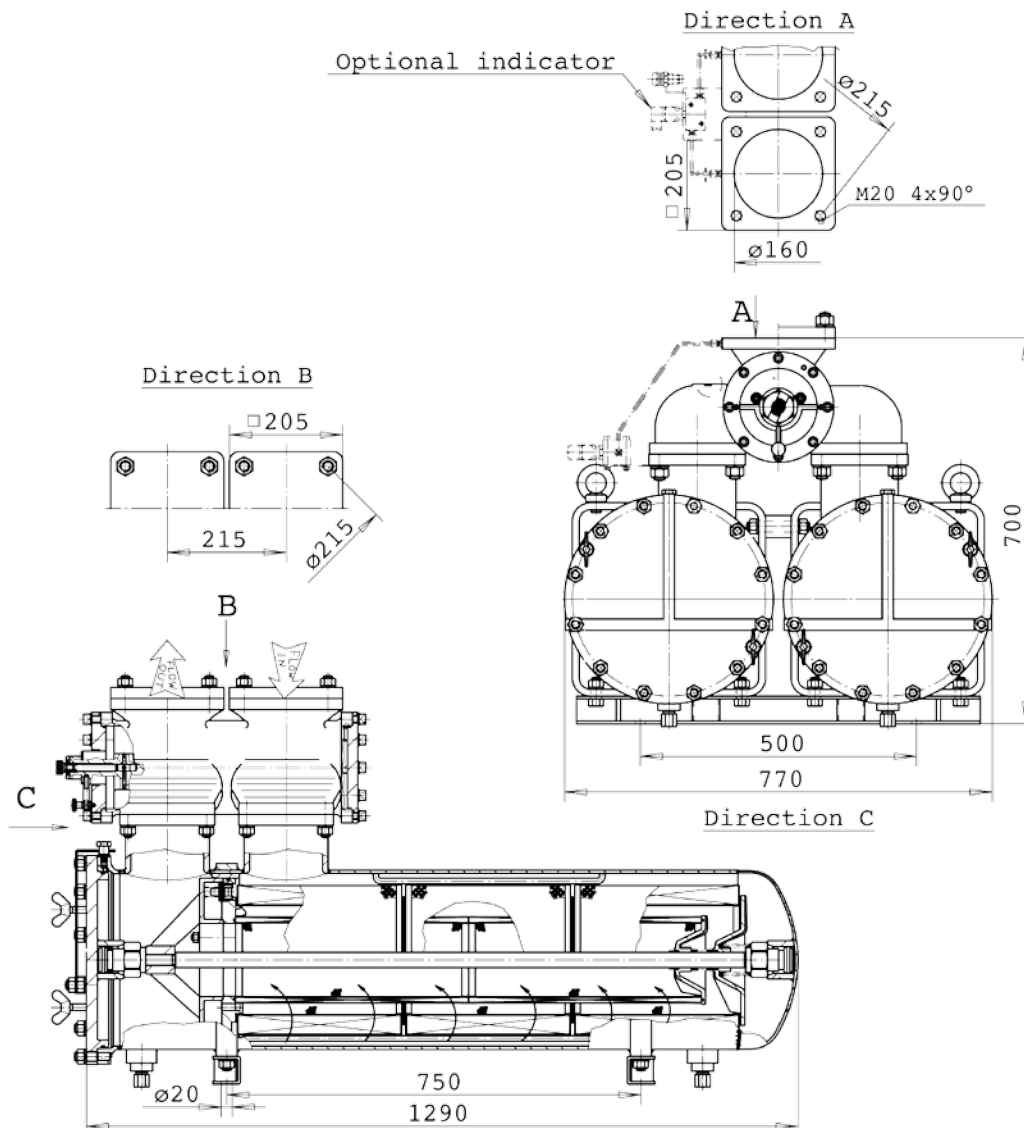
- Three filter elements per reservoir
- Filtration materials
 - Resin impregnated heavy duty cellulose paper 15 μm nominal
 - Glassfibre Microglass III
 - Cleanable metal mesh

Secondary filter:

- One filter element per reservoir
- Filtration material cleanable wire mesh
- Filtration degree 60 μm

Fluid compatibility:

Suitable for use with regular hydraulic and lubrication oils. For other fluids consult Parker Filtration.



DFH2060 Series

Pressure Drop Curves

$$\Delta p_{\text{total}} = \Delta p_{\text{housing}} + \Delta p_{\text{element}}$$

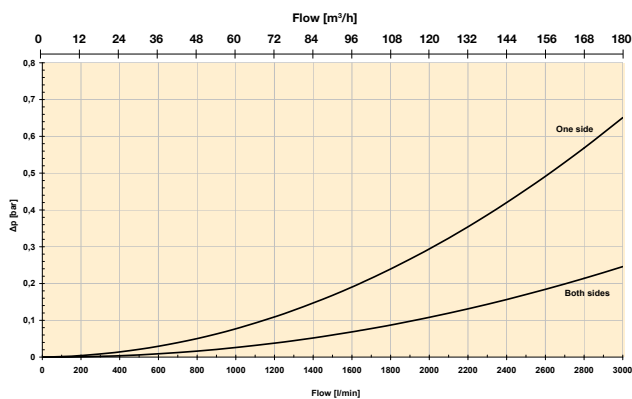
The recommended level of the initial pressure drop for this filter is maximum 0.5 bar.

Δp -curves are measured at 30 cSt.

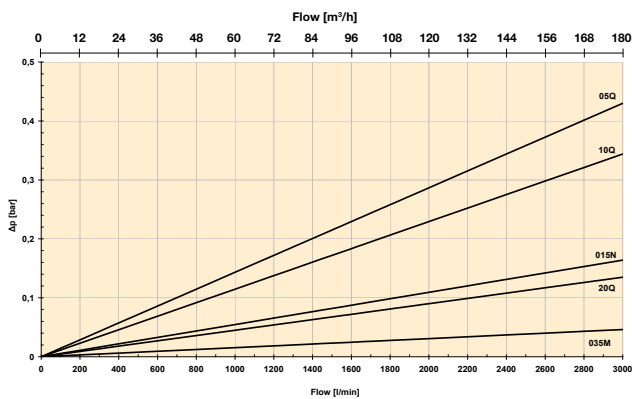
If the medium used has a viscosity different from 30 cSt, pressure drop over the element can be estimated as follows:

$$\Delta p_{\text{total}} = \Delta p_{\text{housing}} + \Delta p_{\text{element}} \times \frac{\text{working viscosity}}{30 \text{ cSt}}$$

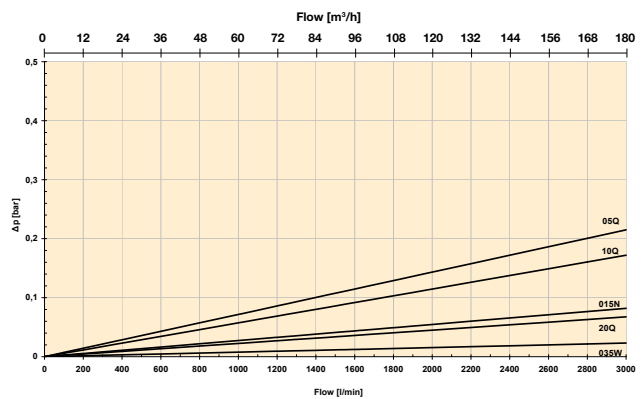
DFH2060 housing



DFH2060 element pack (3 pcs)/one side in use



DFH2060 element pack (3 + 3 pcs)/both sides in use



Product Description for DFH2060

Complete Filter:

Table 1

--

Table 2

--

Table 3

--

Table 4

--

Table 5

--

Table 6

--

Table 7

--

Table 8

--

Table 1

FILTER TYPE	
Model	CODE
Duplex filter, horizontal installation	DFH2060

Table 2

FILTER SIZE	
Length/elements	CODE
3 elements/side	3

Table 3

DEGREE OF FILTRATION	
Element type	CODE
Microglass III	
Glassfibre 5 µm	05Q
Glassfibre 10 µm	10Q
Glassfibre 20 µm	20Q
Other medias	
Cellulose 15 µm (nom)	015N
Cleanable metal mesh 35 µm	035W
Cleanable metal mesh 60 µm	060W

Table 4

SEAL TYPE	
Seal material	CODE
Fluoroelastomer	V

Table 5

INDICATORS	
Options	CODE
No indicator block	N
Indicator port plugged	P
Visual indicator	M3
Electrical indicator	T1
Electronic indicator (PNP/N.O.)	F1
Electronic indicator (NPN/N.O.)	F2

Table 6

BYPASS VALVE	
Bypass/indicator setting	CODE
2.0 bar/1.5 bar	H

Table 7

FILTER CONNECTIONS	
Port size	CODE
Square flange 160 mm	X160

Table 8

OPTIONS	
Options	CODE
With bypass	1

REPLACEMENT ELEMENTS	
Media code / Seal type	Order code
Glassfibre	Microglass III
05Q / Nitrile	939381Q
10Q / Nitrile	939382Q
20Q / Nitrile	939383Q
Cellulose 15 µm (nom)	
015N / Nitrile	939384
Cleanable metal mesh	
035W / Fluoroelastomer	939385
060W / Fluoroelastomer	939386

SPARE PARTS	
Secondary filter element	CODE
Wire mesh 60 µm	939394
Seal kits	CODE
For valve assembly	916045064
For vessel (two kits required for complete filter)	916045066

Please note the bolded options reflect standard options with reduced lead-time.